

K500 PRESET The Original

EN Electronic oil nozzle meter (without or with preset)

K500 are meter nozzles able to cater for even the most discerning market requirements. The possibility of dispensing in preselection makes it truly unique. Once the pre-selected quantity has been reached, the nozzle automatically closes the valve and stops dispensing. Its functions are extended by a vast menu. The oval-gear meter makes it possible to achieve high count precision with low flow resistance. Also available in type-approved version. The nozzle makes for easy calibration. Dispensing is made easier thanks to the articulated end and swivel connection for reaching any position. The external structure consists of an ergonomic plastic shell with shockproof rubber. The trigger protection prevents accidental operation. Thanks to the threaded outlet coupling, any end can

be connected. A large easy-maintenance inlet filter protects the nozzle from impurities. Thanks to the sealed battery compartment it can be used in any condition. K500 are unique and indispensable tool for industry operators.

Performance Specifications

- Flow rate from 1 to 30 l/min (0,6 ÷ 7,9 gal/min).
- Accuracy 0.5 % over the entire flow rate range (±0.3% type-approved version).
- Repeatability 0.2%.
- Viscosity range from 5 to 2000 cSt.
- Max. operating pressure: 70 bar max (994 psi).
- Pre-selectable quantity: 0.1 litres min., 99.9 litres max.
- Quantity dispensed indicators with various units of measure.

Technical Specifications

- Pressure molded meter body, resistant to high pressures, protected by a structure of anti-shock, thermohardened plastic with rubber protection.
- Trigger protection to prevent accidental operation.
- IP55 insulation with sealed battery compartment.
- Inlet with 1/2" Gas swivel connector and incorporated filter.
- Outlet for end connection 3/8" gas female.
- Balanced valve to reduce pressure on the trigger.
- Oval gear meter, with acetal resin gears. Single-channel. Two-channel for type-approved version.
- Electronic circuit card with microprocessor for managing the card functions.
- LCD with four-digit partial supply indicator (height 11.5 mm) and non-resettable, six-digit total indicator (height 5 mm).
- Powered by 4 1.5 V AA size batteries.
- Articulated end with clutched positioning button, complete with anti-drip valve.



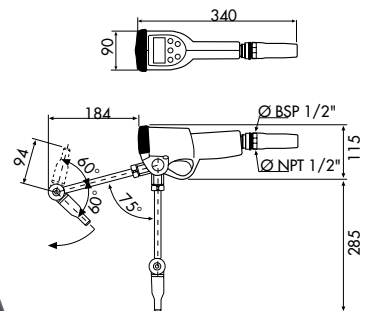
K500 Preset



KA500
PTB approved version available

Accessories:

Flexible spouts



K500 PRESET

Code	Description	Spout	Flow rate		Pressure		Batteries size 1.5 V AA no.	I/O	Weight Kg	Packaging mm
			l/min	gal/min	bar	psi				
F0068700C	K500 w/articulable spout	A	1 ÷ 30	0,26 ÷ 7,8	70	994	4	1/2" G	1,8	300x160x150
F00687200	K500 w/rigid spout	C	1 ÷ 30	0,26 ÷ 7,8	70	994	4	1/2" G	1,8	300x160x150
F00687210	K500 w/rigid spout	B	1 ÷ 30	0,26 ÷ 7,8	70	994	4	1/2" G	1,8	300x160x150
F0068600C	K500 w/flexible spout	A	1 ÷ 30	0,26 ÷ 7,8	70	994	4	1/2" NPT	1,8	300x160x150

Available approved version (KA475 and KA500) for Italy, Germany (PTB), Austria (BEV), Finland (VJA), Estonia (TJI).