



K600



Electronic oil meter High Flow

Electronic meter with oval gears for controlling and measuring low, medium and high viscosity fluids. The oval gear measuring system provides extremely precise delivery accompanied by low pressure loss. All K600 functions are managed by an electronic card and battery powered microprocessor. The card controls both display and meter calibration. The meter can be integrated with the nozzle in order to obtain a handy, ergonomic instrument for controlling and managing fluid delivery. The nozzle is fitted with a balanced valve to reduce trigger pressure and can be integrated with different ends to suit specific requirements.

Performance

Flow rate: up to 60 l/min
 Precision $\pm 0.5\%$ throughout whole flow range.
 Repetitiveness 0.2%
 Loss of pressure: 1.0 bar (30 l/min con olio SAE10W40)
 Max. working pressure: max 70 bar
 Bursting pressure: 140 bar

Specifications

Meter body in die-cast aluminium to withstand high pressure
 Meter with oval gears, with gears in acetal resin.

Electronic card with microprocessor for managing card functions.
 LCD with 5 figure readings of partial deliveries (height 11.5 mm) and 8 figure readings of total deliveries, without resetting (height 5 mm).
 Battery powered meters: n. 2 size N batteries
 Nozzle with: trigger protection to prevent accidental operations.
 Input with rotating 1" Gas (NPT) attachment.
 Balanced valve to reduce trigger pressure.
 Rigid or flexible end with manual non drip valve.



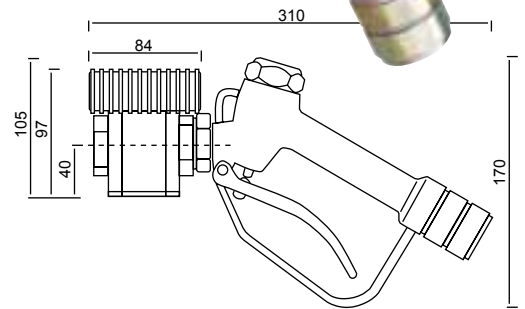
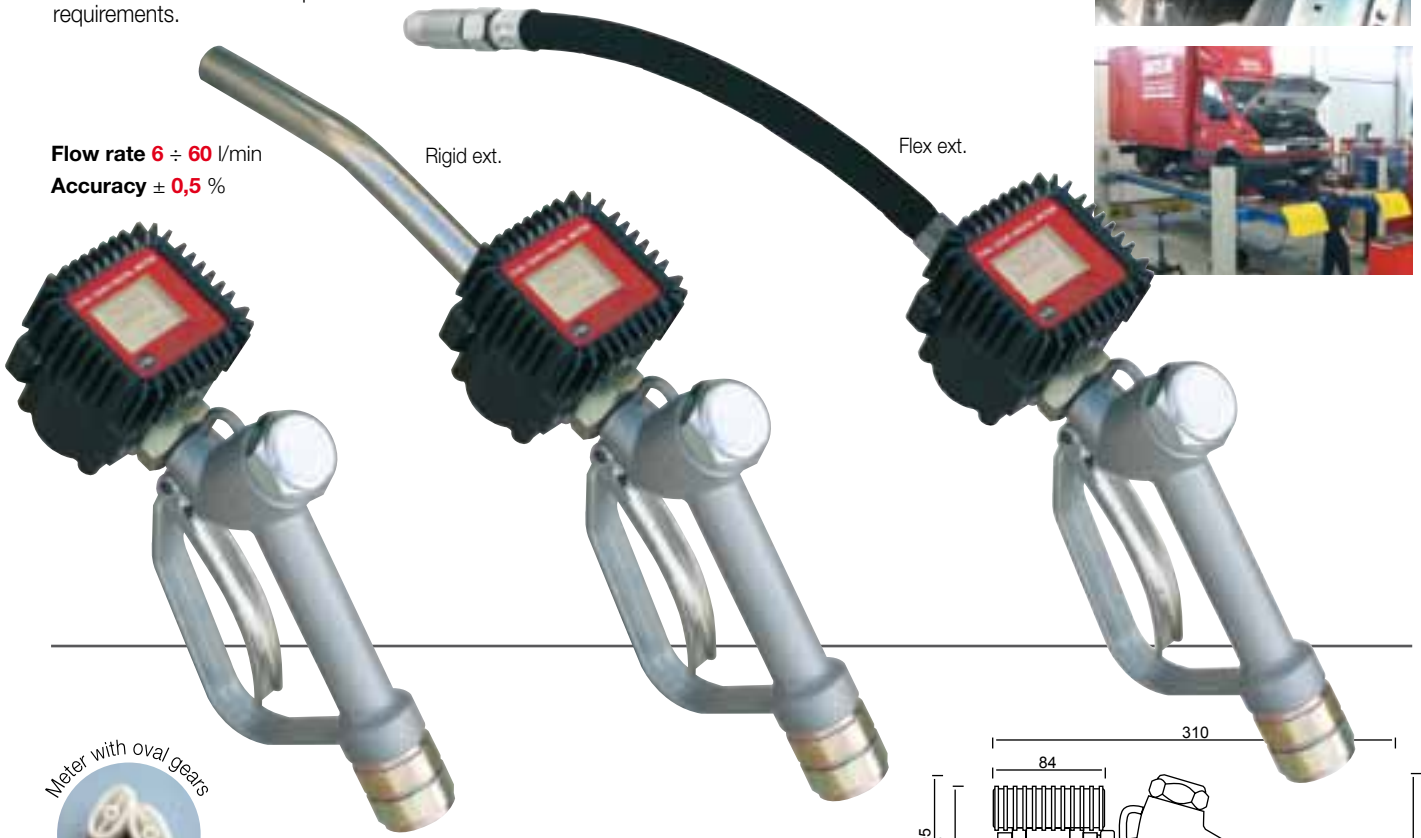
Multifunction display. 5 digit partial. Total. Resettable total and calibration available. Low battery icon.



Flow rate $6 \div 60$ l/min
 Accuracy $\pm 0,5\%$

Rigid ext.

Flex ext.



K600

Code	Description		Flow rate		Pressure		Inlet	Outlet	Weight Kg	Packaging mm
			l/min	gal/min	bar	psi				
F00971000	K600 nozzle LT/GAS with rigid ext.		6÷60	1,5÷15	70	994	1" Gas	Ext. Rigid	2,3	345x165x120
F00971010	K600 nozzle LT/GAS with flex ext.		6÷60	1,5÷15	70	994	1" Gas	Ext. Flex	2,6	345x165x120
F00971020	K600 nozzle QT/NPT with rigid ext.		6÷60	1,5÷15	70	994	1" NPT	Ext. Rigid	2,3	345x165x120
F00971030	K600 nozzle QT/NPT with flex ext.		6÷60	1,5÷15	70	994	1" NPT	Ext. Flex	2,6	345x165x120
F00971040	K600 nozzle LT/GAS		6÷60	1,5÷15	70	994	1" Gas	1/2" Gas	1,2	345x165x120
F00971050	K600 nozzle QT/NPT		6÷60	1,5÷15	70	994	1" NPT	1/2" NPT	1,2	345x165x120